

# State of Wyoming Corner Record

(In compliance with the **CORNER PERPETUATION AND FILING ACT**, Wyoming Statutes, 1997 Section 33-29-140 et. seq., and the Rules and Regulations of the Board of Professional Engineers and Professional Land Surveyors)

Reverse side of this form may be used if more space is needed.

Record of original survey and citation of source of historical information (if corner is lost or obliterated). Description of corner monumentation evidence found and/or monument and accessories established to perpetuate the location of this corner. Sketch of relative location of monument, accessories, and reference points with course and distance to adjacent corner(s) (if determined in this survey). Method and rationale for reestablishment of lost or obliterated corner.

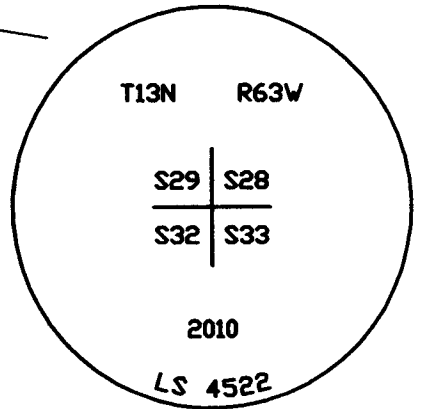
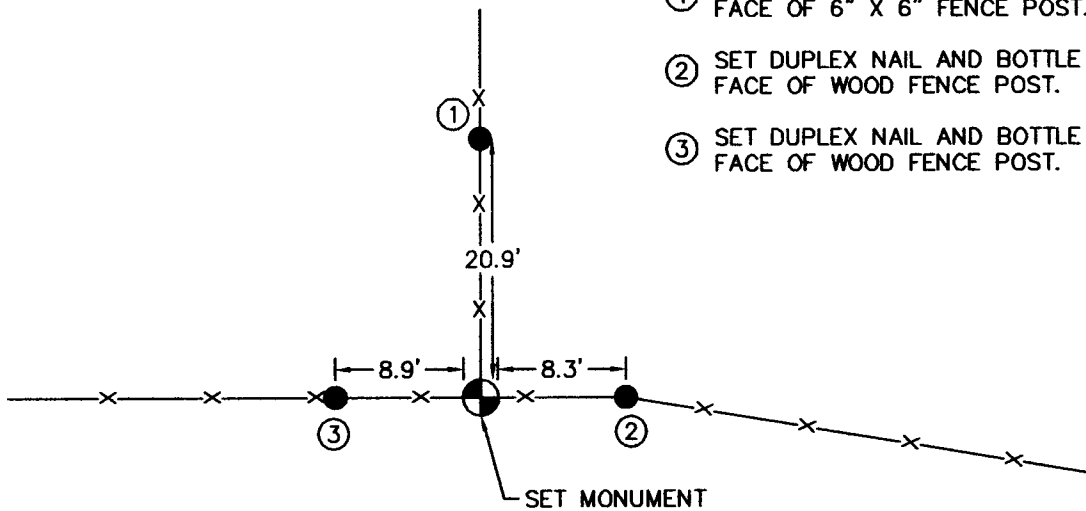
GLO RECORD: "SET A SANDSTONE 20 X 12 X 8 FOR CORNER TO SECTIONS 28 29 32 33."

MONUMENT FOUND: NO MONUMENT WAS FOUND DURING FIELD SEARCH.

MONUMENT SET: SET #5 REBAR WITH 2 1/2" ALUMINUM CAP STAMPED LS 4522 AND 2010 AS SHOWN BELOW, FLUSH WITH GROUND SURFACE.

REFERENCES: FOUND AND OR SET REFERENCE TIES AS SHOWN IN SKETCH BELOW.

- ① SET DUPLEX NAIL AND BOTTLE CAP IN EAST FACE OF 6" X 6" FENCE POST.
- ② SET DUPLEX NAIL AND BOTTLE CAP IN NORTH FACE OF WOOD FENCE POST.
- ③ SET DUPLEX NAIL AND BOTTLE CAP IN NORTH FACE OF WOOD FENCE POST.



NOT TO SCALE

  
 RECORDED 12/30/2010 AT 9:23 AM REC# 560247 BK# 2200 PG# 1308  
 DEBRA K. LATHROP, CLERK OF LARAMIE COUNTY, WY PAGE 1 OF 1

## Set Monument Inscription

Date of Field Work: 11/8/10

Office Reference: 2010075 (LAT40)

### Cross Index Plat

	1	2	3	4	5	6	7	8	9	10	11	12	13	14	15	16	17	18	19	20	21	22	23	24	25
A																									
B	+	+	+	+	+	+	+	+	+	+	+	+	+	+	+	+	+	+	+	+	+	+	+	+	+
C	+	6	+	+	5	+	+	+	4	+	+	+	3	+	+	+	2	+	+	+	1	+	+	+	+
D	+	+	+	+	+	+	+	+	+	+	+	+	+	+	+	+	+	+	+	+	+	+	+	+	+
E	+	+	+	+	+	+	+	+	+	+	+	+	+	+	+	+	+	+	+	+	+	+	+	+	+
F	+	+	+	+	+	+	+	+	+	+	+	+	+	+	+	+	+	+	+	+	+	+	+	+	+
G	+	+	7	+	+	8	+	+	9	+	+	+	10	+	+	+	11	+	+	+	12	+	+	+	+
H	+	+	+	+	+	+	+	+	+	+	+	+	+	+	+	+	+	+	+	+	+	+	+	+	+
J	+	+	+	+	+	+	+	+	+	+	+	+	+	+	+	+	+	+	+	+	+	+	+	+	+
K	+	+	+	+	+	+	+	+	+	+	+	+	+	+	+	+	+	+	+	+	+	+	+	+	+
L	+	+	+	+	+	+	+	+	+	+	+	+	+	+	+	+	+	+	+	+	+	+	+	+	+
M	+	+	+	+	+	+	+	+	+	+	+	+	+	+	+	+	+	+	+	+	+	+	+	+	+
N	+	+	+	+	+	+	+	+	+	+	+	+	+	+	+	+	+	+	+	+	+	+	+	+	+
O	+	+	+	+	+	+	+	+	+	+	+	+	+	+	+	+	+	+	+	+	+	+	+	+	+
P	+	+	+	+	+	+	+	+	+	+	+	+	+	+	+	+	+	+	+	+	+	+	+	+	+
Q	+	+	+	+	+	+	+	+	+	+	+	+	+	+	+	+	+	+	+	+	+	+	+	+	+
R	+	+	+	+	+	+	+	+	+	+	+	+	+	+	+	+	+	+	+	+	+	+	+	+	+
S	+	+	+	+	+	+	+	+	+	+	+	+	+	+	+	+	+	+	+	+	+	+	+	+	+
T	+	+	+	+	+	+	+	+	+	+	+	+	+	+	+	+	+	+	+	+	+	+	+	+	+
U	+	+	+	+	+	+	+	+	+	+	+	+	+	+	+	+	+	+	+	+	+	+	+	+	+
V	+	+	+	+	+	+	+	+	+	+	+	+	+	+	+	+	+	+	+	+	+	+	+	+	+
W	+	+	+	+	+	+	+	+	+	+	+	+	+	+	+	+	+	+	+	+	+	+	+	+	+
X	+	+	+	+	+	+	+	+	+	+	+	+	+	+	+	+	+	+	+	+	+	+	+	+	+
Y	+	+	+	+	+	+	+	+	+	+	+	+	+	+	+	+	+	+	+	+	+	+	+	+	+
Z	+	+	+	+	+	+	+	+	+	+	+	+	+	+	+	+	+	+	+	+	+	+	+	+	+
	1	2	3	4	5	6	7	8	9	10	11	12	13	14	15	16	17	18	19	20	21	22	23	24	25

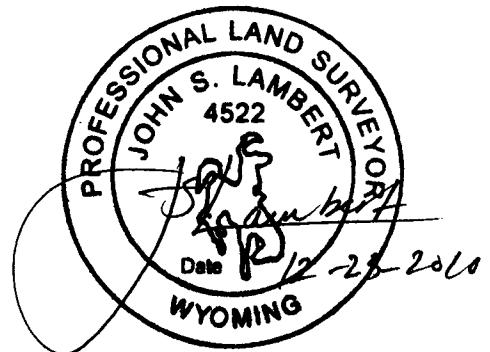
Firm/Agency, Address

Lat40, LLC  
 1635 Foxtrail Dr., Suite 325  
 Loveland, Colorado 80538

Telephone Number: 970-776-3321

This corner record was prepared by me or under my direction and supervision.

SEAL & SIGNATURE



Corner Name Section Corner Section 28 29 32 33, T 13 N, R 63 W, 6th P.M. Cross-Index No.: V-9

County: LARAMIE Wyoming